

Specifications

Designed for use on systems using compressed gases up to grade 4.8 purity, the Tech-Master range of automatic changeover cylinder manifolds are designed and manufactured to comply with recognised standards including the requirements of BCGA Codes of Practice CP4.

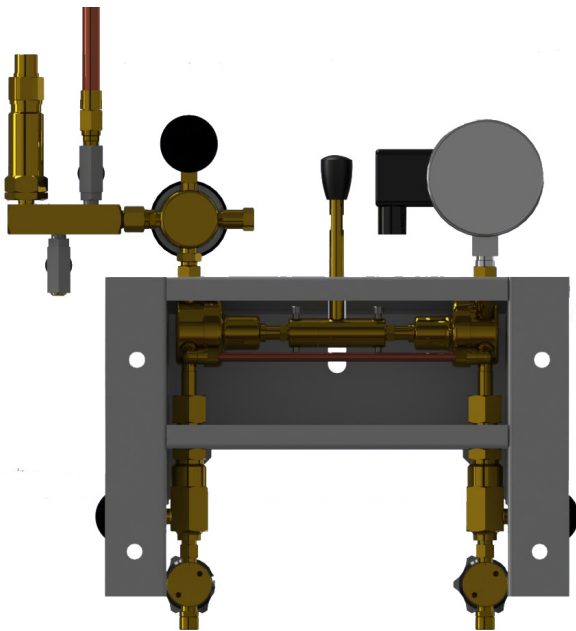
The automatic changeover cylinder manifolds are manufactured to operate in conjunction with cylinders filled up to 300 bar and are ideally suited to the requirements of most applications where cylinder gases are used.

The standard manifolds are designed to accommodate 2 equal sized banks of cylinders with sizes ranging from 2 x 1 to 2 x 6 with one bank set as duty and the other bank set as reserve. The manifolds offer the user an uninterrupted gas supply with an alarm option to indicate the reserve cylinder bank has taken over.

Features

- Wall mounted cylinder support rack
- High pressure flexible hoses to BS EN ISO 14113
- Contact alarm gauge to warn of changeover from duty to reserve bank, when used in conjunction with Gas-Arc Audible and Visual Alarm Panel
- Cylinder contents gauges
- High pressure non-return valves
- High pressure isolation valves
- Manifold outlet pressure regulator to BS EN ISO 7291
- Pipeline pressure relief valve with 15/22mm pipeline vent adaptor
- Low pressure purge/sample valve
- Line isolation valve
- Floor mounting kit available
- Designed and manufactured in UK.

LIT01094 Issue: A Revision: 1



Options

- Floor mounting is available with a floor mounting kit which is attached to the wall mounted manifold frame, offering the user the option of a free standing manifold.
- High pressure purge valves are available to ensure that gas purity is maintained during cylinder replacement.
- In line flashback arrestor available as an option on fuel gas and oxygen systems. This unit is incorporated within the pipeline pressure reduction package and is fully compliant with the requirements of BS EN ISO 730-1.
- Custom built sizes, a range of manifold sizes and configurations (e.g. back to back) are available on request.
- High Pressure flexible or rigid tailpipes.
- BS, DIN, CGA or JIC Cylinder Connections.

Technical Data

Type: 2 x 1 cylinder to 2 x 6 cylinders
 Inlet pressure: 300 bar maximum
 Outlet pressure: 0-5, 0-12, 0-35 bar
 Inlet connection: BS341
 Outlet connection: 15mm pipe stub (1/4 NPT female on 0-35 bar unit)
 Flowrates: Nominal discharge 300 l/min (18 m³/hr) @ 5 bar and 360 l/min (21 m³/hr) @ 12 bar as defined in BS EN ISO 7291.

Body: Brass
 Diaphragm: Neoprene
 Valve Seat: Nylon
 Filter: 316L Stainless Steel

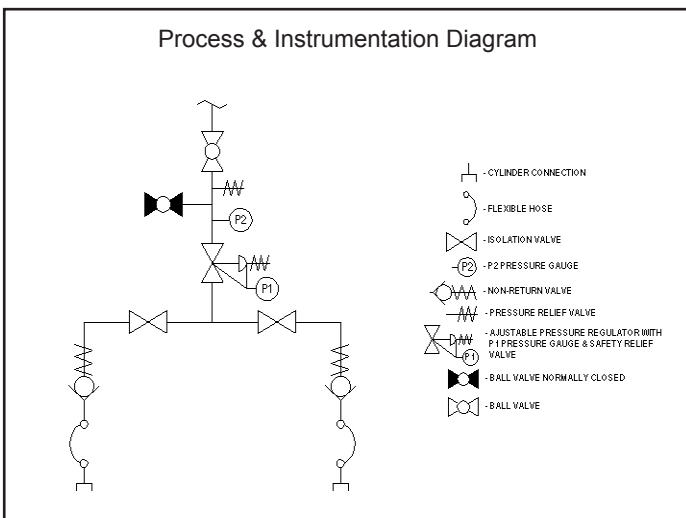
Dimensions:
 Autochange Unit: Width: 390mm
 Height: 440mm
 Depth: 185mm

Manifold Cylinder Rack Width:

2 x 1	930mm
2 x 2	1480mm
2 x 3	2080mm
2 x 4	2680mm
2 x 5	3280mm
2 x 6	3880mm

Temperature Range: -20°C to +60°C

Process & Instrumentation Diagram



LIT01094 Issue: A Revision: 1