



Specifications

Designed for use on systems using compressed gases up to grade 4.8 purity, the Tech-Master range of automatic changeover multi-cylinder pack manifolds are designed and manufactured to comply with recognised standards including the requirements of BCGA Codes of Practice CP4.

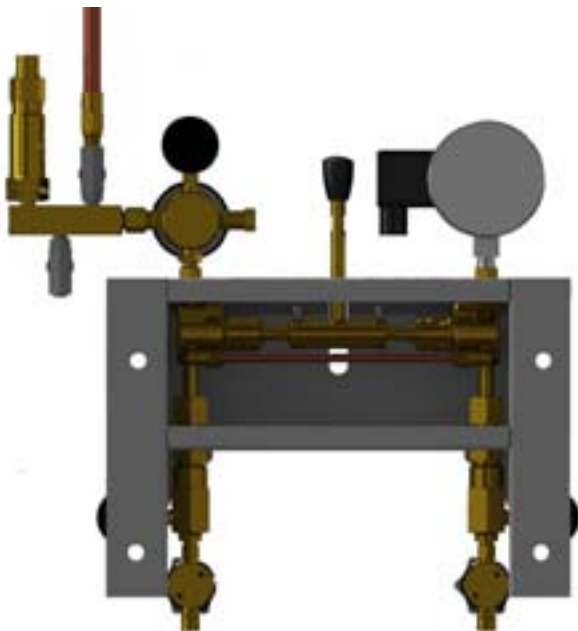
The automatic changeover multi-cylinder pack manifolds are manufactured to operate in conjunction with multi-cylinder packs filled up to 300 bar and are ideally suited to the requirements of most applications where large volumes of gas are used.

The standard manifolds are designed to accommodate 2 equal sized banks of multi-cylinder packs with sizes ranging from 2 x 1 to 2 x 3 with one bank set as duty and the other bank set as reserve. The manifolds offer the user an uninterrupted gas supply with an alarm option to indicate the reserve cylinder bank has taken over.

Features

- Wall mounted cylinder support rack
- 1800mm High pressure flexible hoses to BS EN ISO 14113
- 100mm Cylinder contents gauges fitted on each side of the manifold to provide an indication of multi-cylinder pack contents
- Contact alarm gauge to warn of changeover from duty to reserve back, when used in conjunction with Gas-Arc Audible and Visual Alarm Panel
- Cylinder contents gauges
- High pressure non-return valves
- High pressure purge/vent valves
- High pressure isolation valves
- Manifold outlet pressure regulator to BS EN ISO 7291
- Pipeline pressure relief valve with 15/22mm pipeline vent adaptor
- Low pressure purge/sample valve
- Line isolation valve
- Floor mounting kit available
- Designed and manufactured in UK.

LIT01098 Issue: A Revision: 1



Options

- Floor mounting is available in a floor mounting kit which is attached to the wall mounted manifold frame, offering the user the option of a free standing manifold.
- In line flashback arrestor available as an option on fuel gas and oxygen systems. This unit is incorporated within the pipeline pressure reduction package and is fully compliant with the requirements of BS EN ISO 730-1.
- Custom built sizes, a range of manifold sizes and configurations (e.g. back to back) are available on request.

Technical Data

Type: 2 x 1 to 2 x 3 multi-cylinder packs

Inlet pressure: 300 bar maximum

Outlet pressure: 0-12, 0-35 bar

Inlet connection: BS341

Outlet connection: 15mm pipe stub (¼ NPT female on 0-35 bar unit)

Flowrates: Nominal discharge 300 l/min (18 m³/hr) @ 12 bar, as defined in BS EN ISO 7291.

Materials:

Body: Brass
 Diaphragm: Neoprene
 Valve Seat: Nylon
 Filter: 316L Stainless Steel

Dimensions:

Autochange Unit:	Width: 390mm
	Height: 440mm
	Depth: 185mm
Manifold Cylinder Rack Width:	2 x 1 930mm
	2 x 2 1480mm
	2 x 3 2080mm

Temperature Range: -20°C to +60°C

Process & Instrumentation Diagram

