

Specifications

Designed for use on systems using compressed gases up to grade 4.8 purity, the Tech-Master range of manual changeover cylinder manifolds are designed and manufactured to comply with recognised standards including the requirements of BCGA Codes of Practice CP4.

The manual changeover cylinder manifolds are manufactured to operate in conjunction with cylinders filled up to 300 bar and are ideally suited to the requirements of most applications where cylinder gases are used.

The standard manifolds are designed to accommodate 2 equal sized banks of cylinders with sizes ranging from 2 x 1 to 2 x 6 with one bank set as duty and the other bank set as reserve. The manifolds offer the user a continuity of gas supply by means of simply open/closing of a manual HP isolation valve.

Features

- Wall mounted cylinder support rack
- High pressure flexible hoses to BS EN ISO 14113
- High pressure non-return valves
- High pressure isolation valves
- Manifold Multi-stage pressure regulator to BS EN ISO 7291
- Pipeline pressure relief valve with 15/22mm pipeline vent adaptor
- Low pressure purge/sample valve
- Line isolation valve
- Floor mounting kit available
- Designed and manufactured in UK.

LIT01099

Options

- Floor mounting is available in a floor mounting kit which is attached to the wall mounted manifold frame, offering the user the option of a free standing manifold.
- High pressure purge valves are available to ensure that gas purity is maintained during cylinder replacement.
- In line flashback arrestor available as an option on fuel gas and oxygen systems. This unit is incorporated within the pipeline pressure reduction package and is fully compliant with the requirements of BS EN ISO 730-1.
- Custom built sizes, a range of manifold sizes and configurations (e.g. back to back) are available on request.
- Contact alarm gauge to warn of changeover from duty to reserve bank, when used in conjunction with Gas-Arc Audible and Visual Alarm Panel.

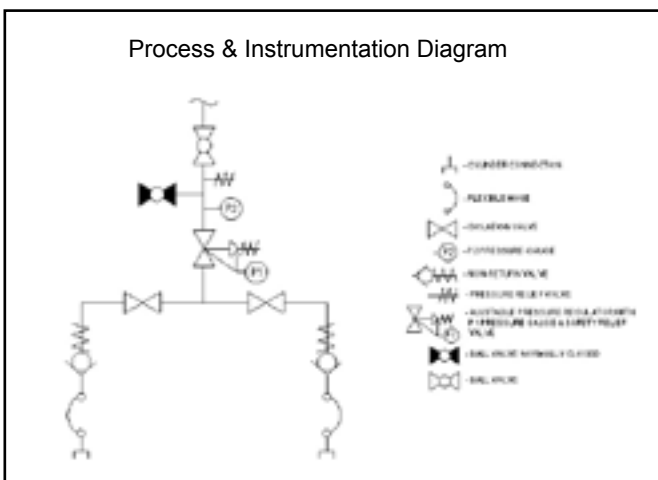
Technical Data

Type: 2 x 1 cylinder to 2 x 6 cylinders
 Inlet pressure: 300 bar maximum
 Outlet pressure: 0-5, 0-12, 0-35 bar
 Inlet connection: BS341
 Outlet connection: 15mm pipe stub (¼ NPT female on 0-35 bar unit)
 Flowrates: Nominal discharge 750 l/min (45 m³/hr) @ 12 bar, as defined in BS EN ISO 7291.

Materials:
 Body: Brass
 Diaphragm: Neoprene
 Valve Seat: Nylon
 Filter: 316L Stainless Steel

Manifold Frame Max Width:	2 x 1	930mm
	2 x 2	1480mm
	2 x 3	2080mm
	2 x 4	2680mm
	2 x 5	3280mm
	2 x 6	3880mm

Temperature Range: -20°C to +60°C



LIT01099 Issue: A Revision: 1